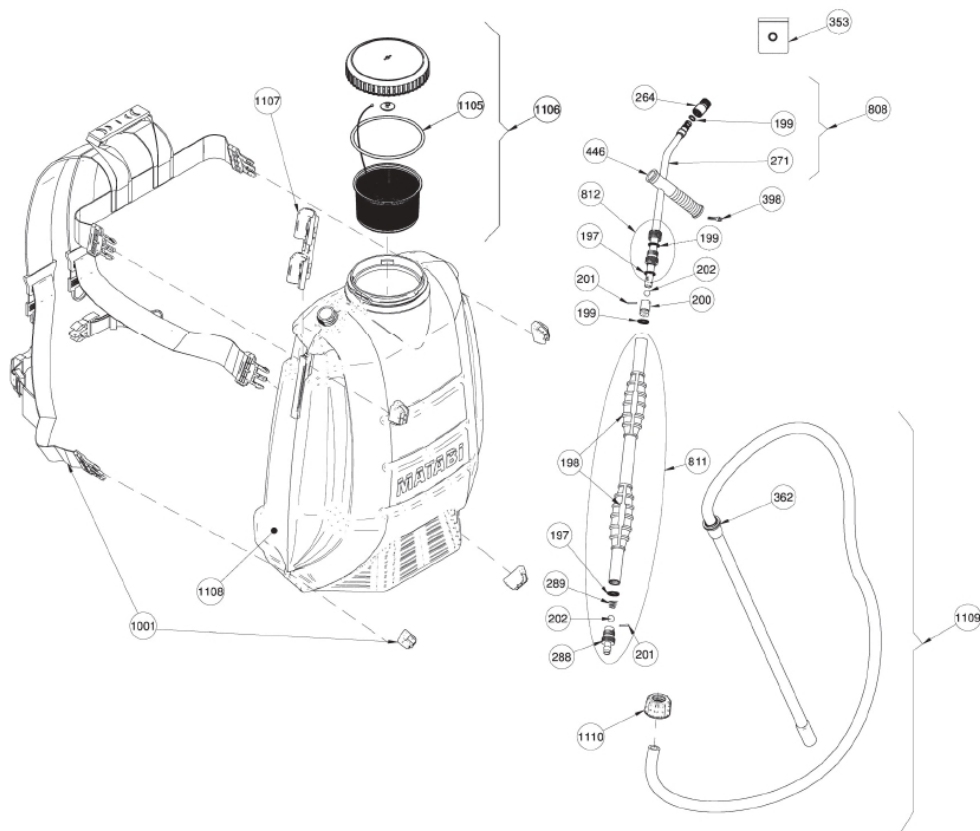




SPARE PARTS

Extend the service life of your sprayer easily replacing parts.



N.	COD.	Q	SPARE PARTS NAME
197	8.39.04.303	2	RUBBER WASHER
198	8.39.04.306	2	GRIP
199	2.23.15.911	4	ROUND GASKET AN-11
200	8.39.04.009	1	PISTON
201	8.39.04.005	2	PIN
202	2.20.08.010	2	STAINLESS STEEL BALL Ø 10
264	8.39.08.017	1	NOZZLE
271	8.39.08.620	1	TUBE WITH SPRAYER
288	8.39.08.002	1	INLET NIPPLE
289	8.39.08.324	1	SPRING
353	8.39.04.202	1	BAG OF SPARES
362	2.23.15.915	1	ROUND GASKET AN-15
398	2.59.26.740	1	SCREW
446	8.39.04.324	1	GRIP
808	8.39.08.803	1	TUBE WITH NOZZLE
811	8.39.08.801	1	COMPLETE BODY
812	8.39.08.805	1	GREASING NIPPLE
1001	8.30.43.605	1	STRAP
1105	2.23.15.101	1	ROUND GASKET Ø 101
1106	8.39.08.807	1	COMPLETE CAP
1107	8.39.08.306	1	EXTINGUISHER BRACKET
1108	8.39.08.303	1	TANK
1109	8.39.08.808	1	COMPLETE HOSE
1110	8.39.08.304	1	NUT
	8.39.08.202	1	INSTRUCTION SHEET
	8.39.08.205	1	PACKAGING